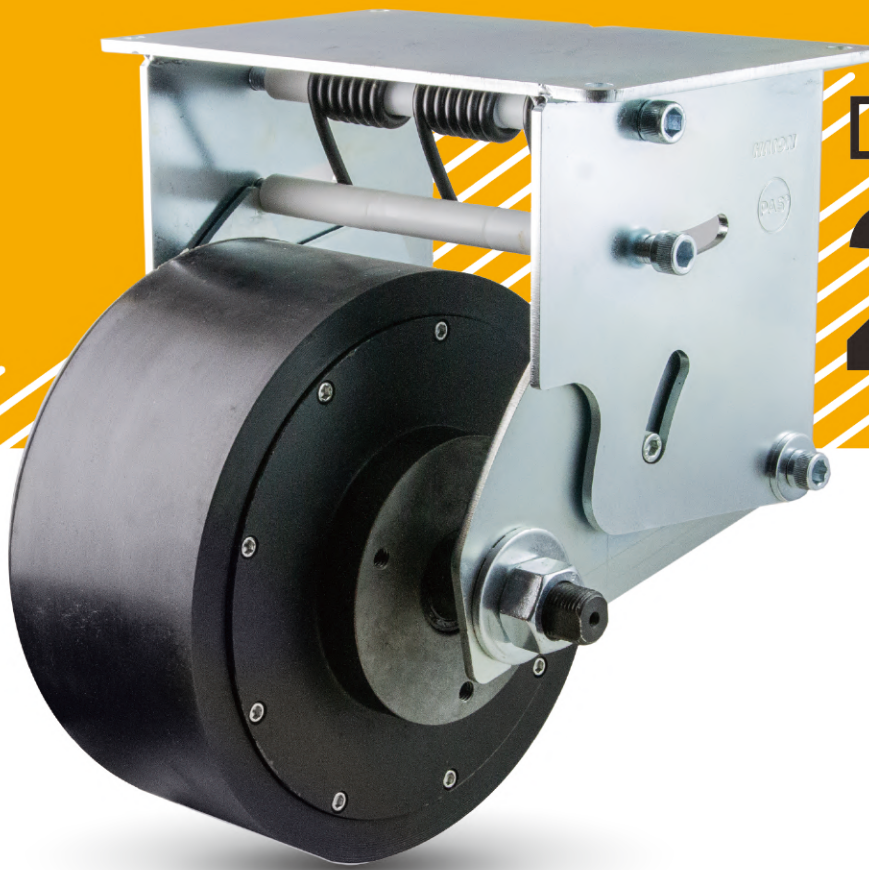


# POWER ASSIST SYSTEM

PAS®

THE PERFECT SOLUTIONS  
FOR MOBILITY

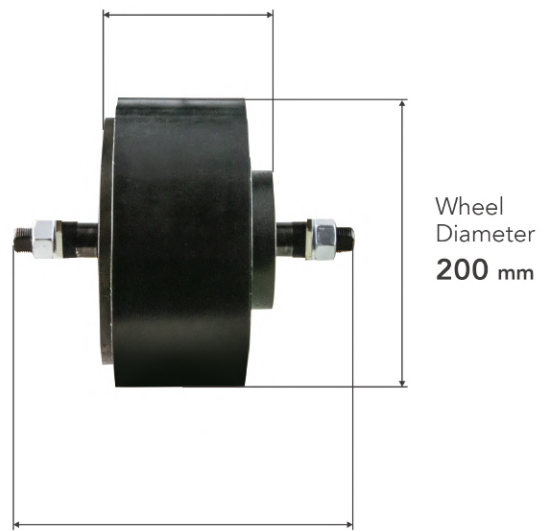




Diameter  
**200** mm

## Technical Data

Wheel Width **121 mm**



Wheel  
Diameter  
**200 mm**

Wheel Axle Length **238 mm**

## Auxiliary Power Motor Wheel

Rated Voltage	DC 48V
Rated Power	480W
Recommended Battery	REC14-12 (2 pcs)
Battery Capacity	14AH
Charger Specifications	Input : AC 100~240 Vac 50/60Hz Output : 0~29.2Vdc, 2±0.2A
Charging Time	8hr (14AH)
Recommended Ambient Temperature	-10~50°C
Working Environment	Indoors

Recommended  
Loading  
**1000 kg**

Wheel Net  
Weight  
**12 kg**

Wheel Material  
**PU**

- Enables one person of any strength to easily push and steer heavy equipments.
- Power drive both forward and reverse. Also provides an electric brake.
- Central mount provides pivot point for easy turns even in limited space.

For more details



 YouTube

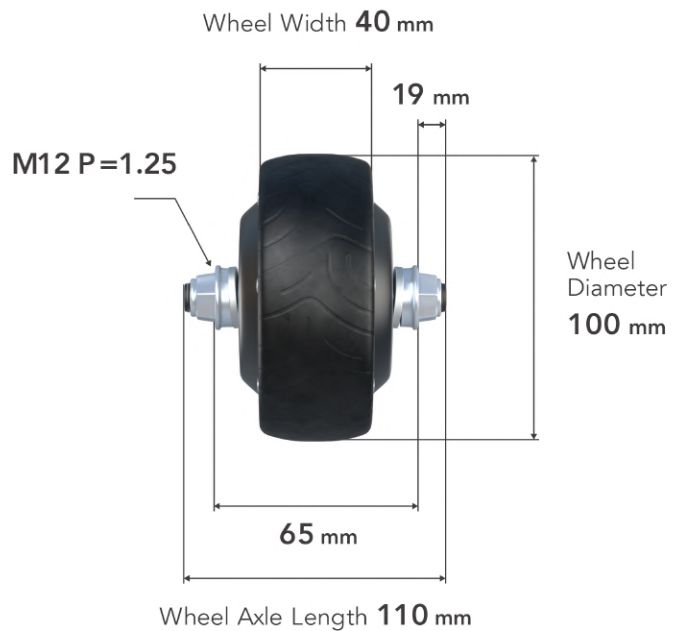
# Diameter 100 mm



## Auxiliary Power Motor Wheel

Rated Voltage	DC 24V
Rated Power	150W
Recommended Battery	NP7-12 (2 pcs)
Battery Capacity	7AH
Charger Specifications	Input : AC 100~240 Vac 50/60Hz Output : 0~29.2Vdc, 2±0.2A
Charging Time	4hr (7AH)
Recommended Ambient Temperature	-10~50°C
Working Environment	Indoors

## Technical Data

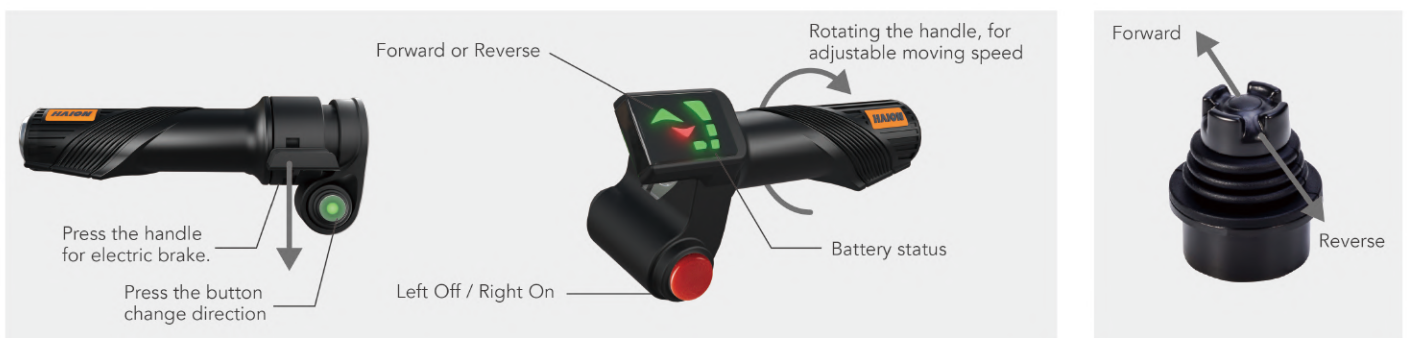


Recommended Loading  
**150 kg**

Wheel Net Weight  
**1.5 kg**

Wheel Material  
**Rubber-Mark Free**

## Operation



Left Operating Handle

Right Operating Handle

Joystick type A



Diameter  
**170** mm

## Technical Data

Wheel Width **46 mm**



Wheel Axle Length **120 mm**

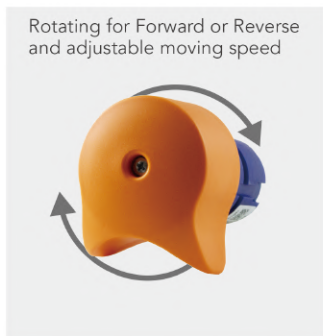
Recommended Loading  
**300 kg**

Wheel Net Weight  
**3.7 kg**

Wheel Material  
**Rubber-Mark Free**

## Auxiliary Power Motor Wheel

Rated Voltage	DC 24V
Rated Power	200W
Recommended Battery	REC14-12 (2 pcs)
Battery Capacity	14AH
Charger Specifications	Input : AC 100~240 Vac 50/60Hz Output : 0~29.2Vdc, 2±0.2A
Charging Time	8hr (14AH)
Recommended Ambient Temperature	-10~50°C
Working Environment	Indoors



Joystick type B



Two Button type



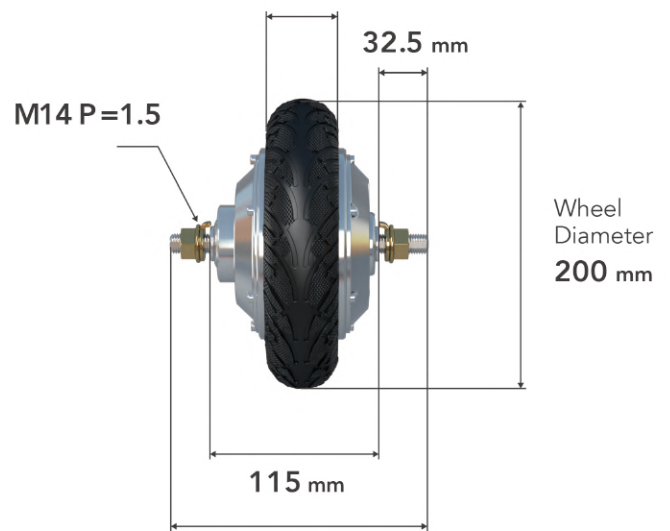
Speed Limit Switch

# Diameter 200 mm



## Technical Data

Wheel Width **48 mm**



Wheel Axle Length **174 mm**

Recommended Loading  
**400 kg**

Wheel Net Weight  
**4.3 kg**

Wheel Material  
**Rubber-Mark Free**

## Auxiliary Power Motor Wheel

Rated Voltage	DC 24V
Rated Power	250W
Recommended Battery	REC14-12 (2 pcs)
Battery Capacity	14AH
Charger Specifications	Input : AC 100~240 Vac 50/60Hz Output : 0~29.2Vdc, 2±0.2A
Charging Time	8hr (14AH)
Recommended Ambient Temperature	-10~50°C
Working Environment	Indoors

## Accessories



Control Box



Actuator Adjustable Housing

Controller

# COMPREHENSIVE PRODUCTSLINE

## CENTRAL LOCK CASTER



H499



H399A



H491



H396



H366



H282

## MANUAL LOCK CASTER



H66



H322



H35



H25

## PAS SERIES



PAS-4"



PAS-6.5"



PAS-8"



Handle



Line



WhatsApp



YouTube



www.haioncaster.com

service@haioncaster.com

HAION CASTER INDUSTRIAL CO., LTD.  
ADD 9F-5, No. 27, Lane 61, Sec. 1, Kwang-Fu Rd., San Chung Dist., New Taipei City, Taiwan / TEL +886-2-2999-8831 / FAX +886-2-2999-9131 / EMAIL

