

TR 126/3Smini Telescopic Pillar 220 - 420

Art.-Nr.: 34.3.000.00



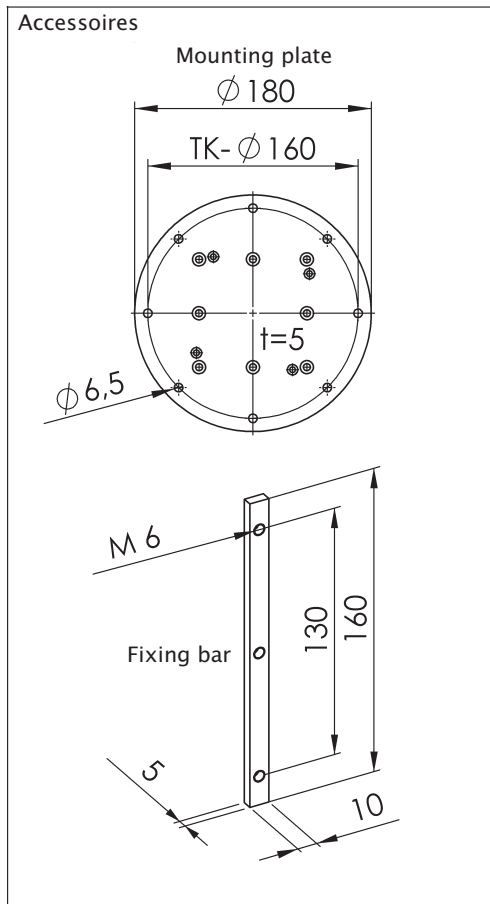
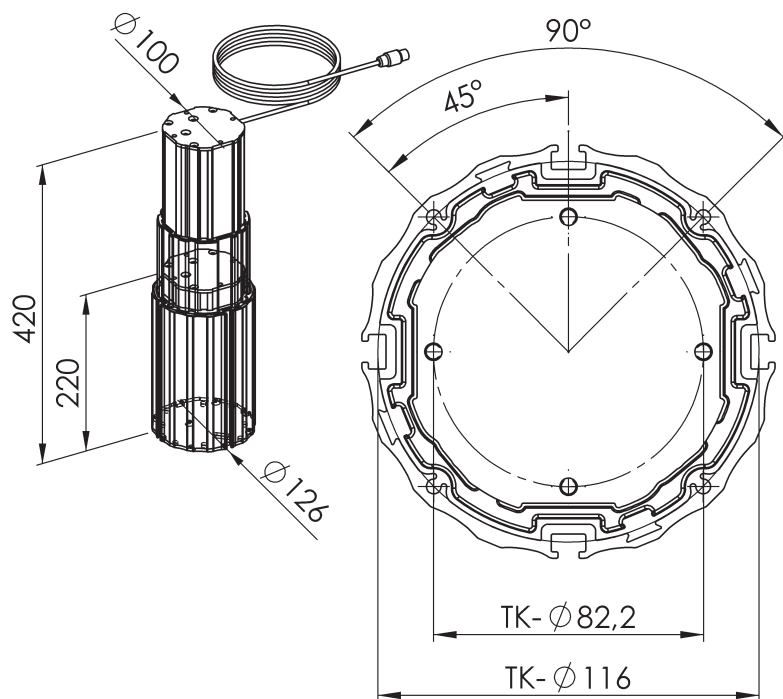
Forza 1500 N

TR-126 /3Smini

Worldwide smallest two-stage telescopic pillar of modern design used in many lifting applications. Very quiet, internal DC actuator drive for lift forces to 1500 N and linear speeds to 15 mm/sec. This pillar is especially suited to sitting/standing desk or other applications where extrem short retracted height is needed.

TR 126/3Smini Telescopic Pillar 220 - 420

Art.-Nr.: 34.3.000.00



Telescopic-Pillar TR-126/3Smini Anodised aluminium

Art.Nr.	34.1.000.00
Max. Thrust force:	1500 N
Max. Turning moment:	300 Nm static load, vertical (150 Nm dynamic)
Max. linear Speed:	15 mm/s without load
Drive:	Internal 24 V DC actuator with integral limit Switches and two Hall sensors
Cable:	Standard length: 1200 mm, DIN Plug 8-pin
Duty cycle:	10 % (S3) intermittent operation and max. Load (1 Min. on /9 Min.off)
Installation geometry:	Pushing preferred, ask for details.
Synchronous operation	1- 4 Pillars, max. 4000N thrust force

Refer to Accessories section for assembly components