

TR 126/3 Telescopic Pillar 580 - 1380

Art.-Nr.: 34.1.000.00

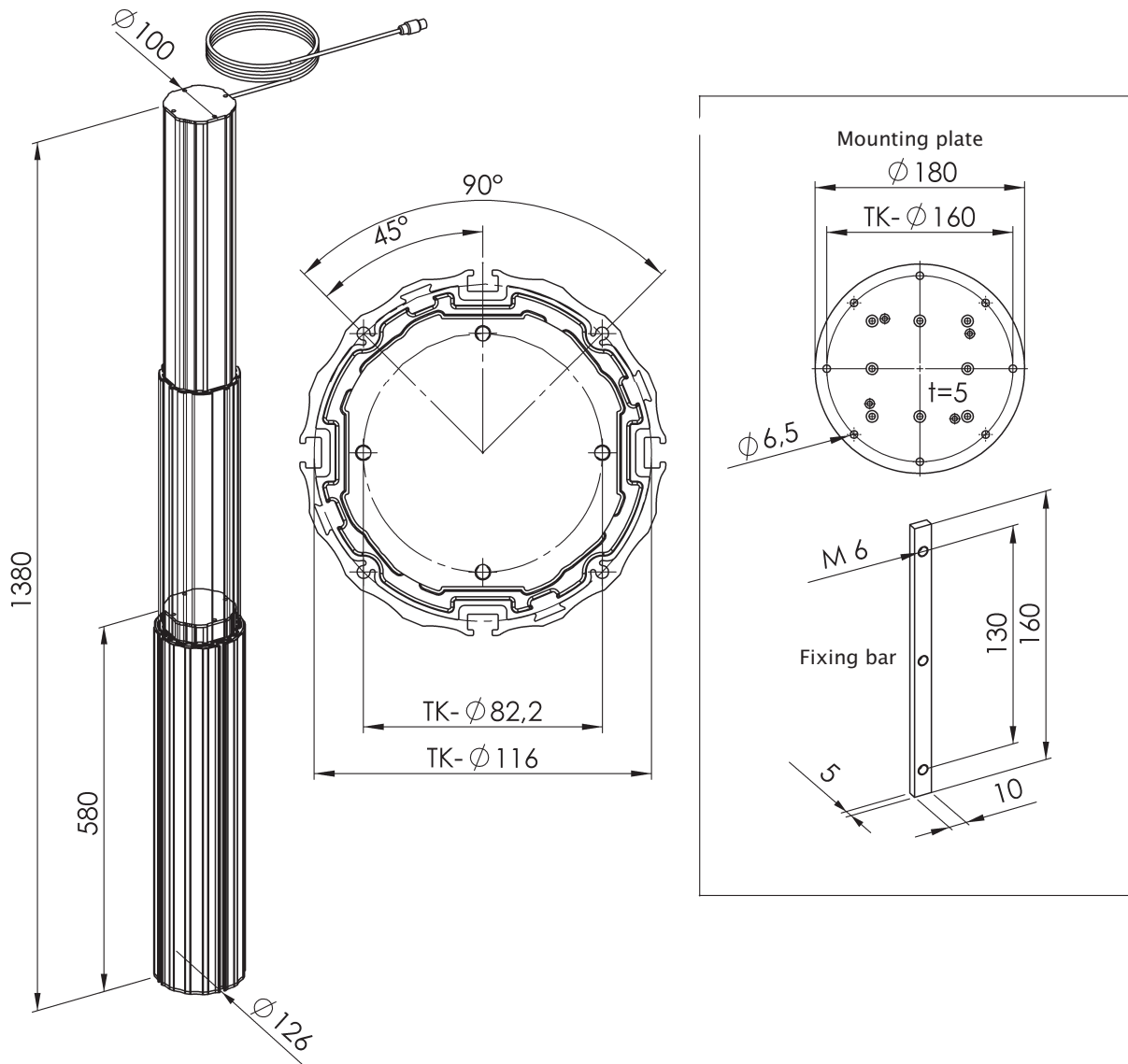


TR-126 /3

Two-stage telescopic pillar of modern design used in many lifting applications .Very quiet, internal DC actuator drive for lift forces to 800 N and linear speeds to 40 mm/sec. This pillar is especially suited to sitting/standing desk or other applications with extra-long stroke.

TR 126/3 Telescopic Pillar 580 - 1380

Art.-Nr.: 34.1.000.00



Telescopic-Pillar TR-126/3 Anodised aluminium

Art.Nr.	34.1.000.00
Max. Thrust force:	800 N
Max. Turning moment:	200 Nm static load, vertical (100 Nm dynamic)
Max. linear Speed:	40 mm/s without load
Drive:	Internal 24 V DC actuator with integral limit Switches and two Hall sensors
Cable:	Standard length: 1200 mm, DIN Plug
Duty cycle:	10 % (S3) intermittent operation and max. Load (1 Min. on /9 Min.off)
Installation geometry:	Pushing preferred, ask for details.
Synchronous operation	1 - 4 Pillars, max. 2500N thrust force

Refer to Accessories section for assembly components