

## T 206 A Telescopic Pillar 650 - 1130

Art.-Nr.: 34.0.000.00

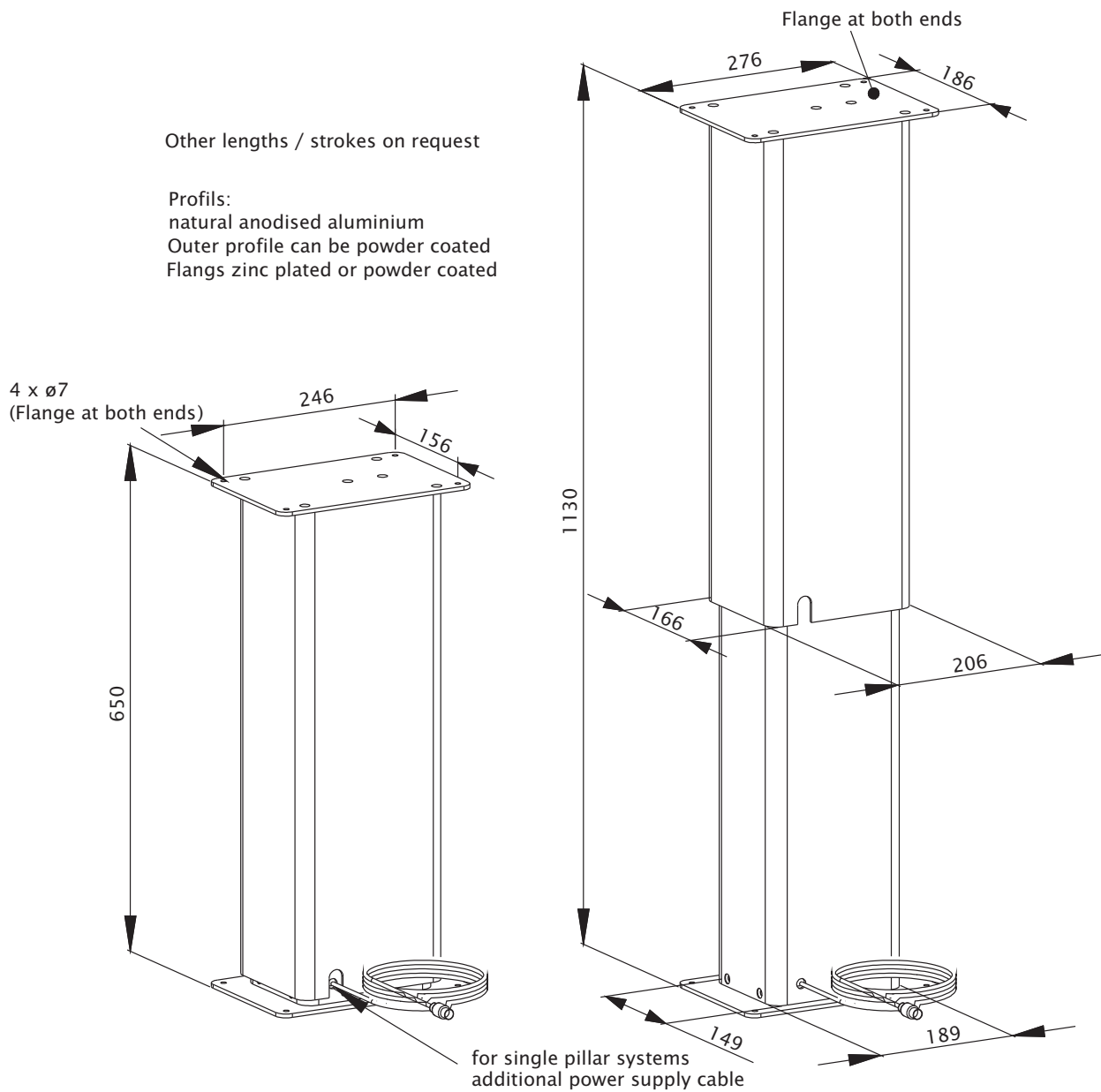


### T-206

This is our largest telescopic pillar, which is a plain-sided profile single-stage system. The type T206 is available with several drive actuator options for thrust forces up to 2500N and linear speeds of up to 60mm/sec. This pillar is especially suitable for single support applications and medical equipment.

## T 206 A Telescopic Pillar 650 - 1130

Art.-Nr.: 34.0.000.00



### Telescopic Pillar T 206 A/Al anodised aluminium

Art.Nr.:	13.0 A (13.0.000.00)
Max. thrust force:	2500 N
Max. turning moment:	200 Nm in static, vertical (100 Nm Dynamic)
Maximum linear speed:	15 mm/s at 24 V without load
Drive:	Internal 24 V DC actuator with integral limit switches and two Hall sensors
Cable lengths:	ca. 1600 mm, DIN plug connector optional
Duty rating:	10% (S3) intermittent operation and max. load (1 Min. on / 9 Min. off)
Installation geometry	Pushing preferred, ask for details
Synchronous operation	1- 4 pillars. Thrust force : ask for details

Refer to Accessories section for assembly components