

Telescopic Pillar T 180 S-640-1140

Art.-Nr.: 19.7.000.00



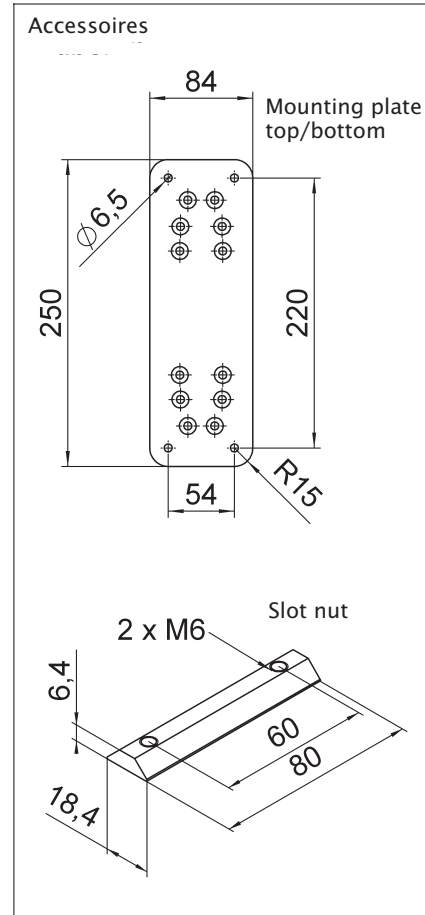
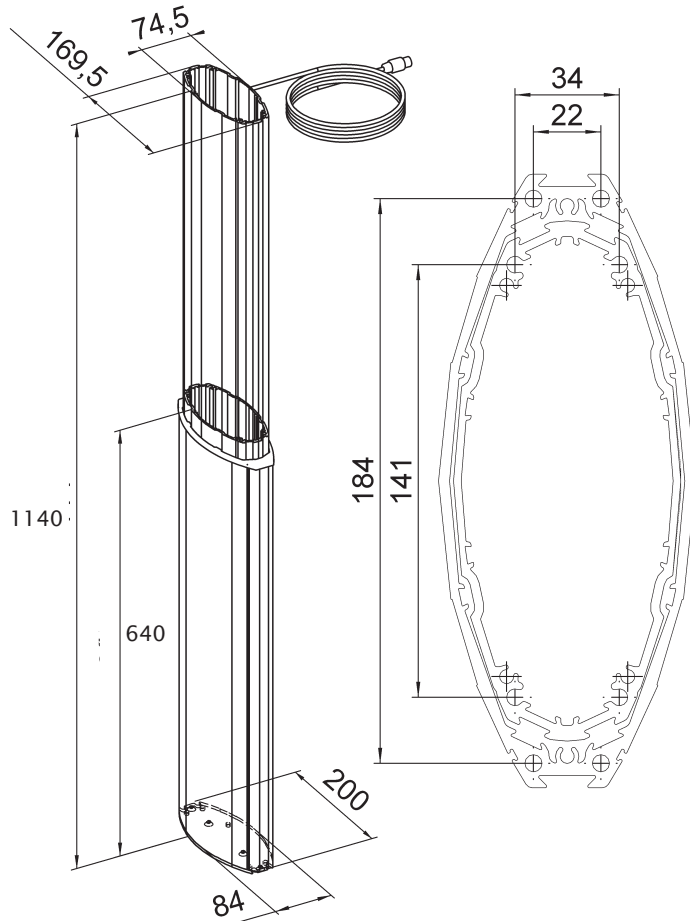
T-180 S

Larger section profile, single-stage telescopic pillar of modern design used in many lifting applications. Internal DC actuator drive for lift forces to 1500N and linear speeds to 25mm/sec. This pillar is especially suited to sitting/standing desk or workbench applications, where heavier loads can occur.

Telescopic Pillar T 180 S-640-1140

Art.-Nr.: 19.7.000.00

T180S-641-1141
 Other strokes/length on request



Telescopic Pillar T-180S anodised aluminium

Art.Nr.:	19.7.000.00
Max. thrust force:	1500 N
Max. turning moment:	200 Nm in static, vertical (100 Nm Dynamic)
Linear speed:	25 mm/s at 24 V without load
Drive:	Internal 24 V DC actuator with integral limit switches and two Hall sensors
Cable length:	ca. 1200 mm, 8-pin plug connector
Duty rating:	10% (S3) intermittent operation and max. load (1 Min. on /9 Min. off)
Installation geometry	as required
Synchronous operation	1- 4 pillars, max. 4000N force with 4 pillars

Refer to Accessories section for assembly components