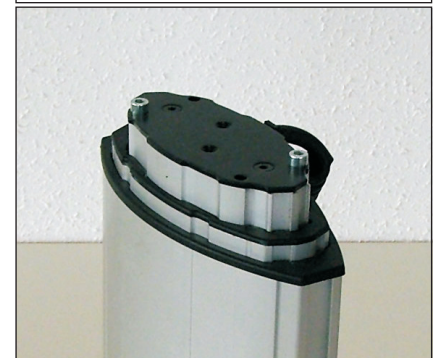


T 180/3 Telescopic Pillar 580 - 1280

Art.-Nr.: 19.4.000.00

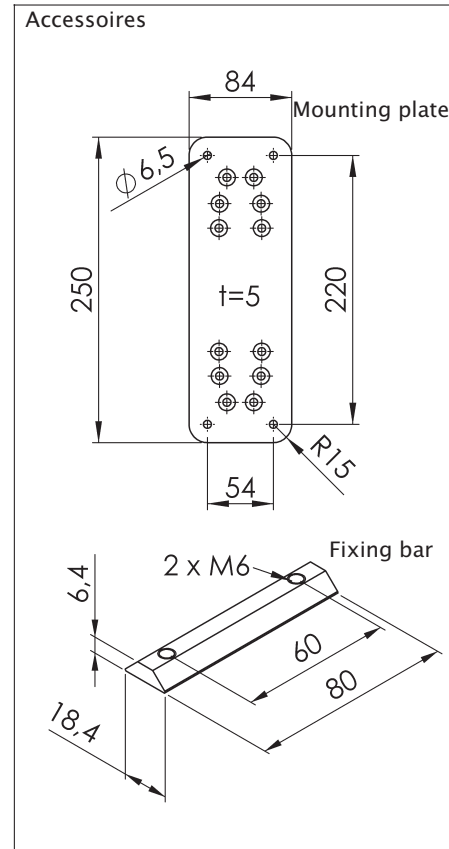
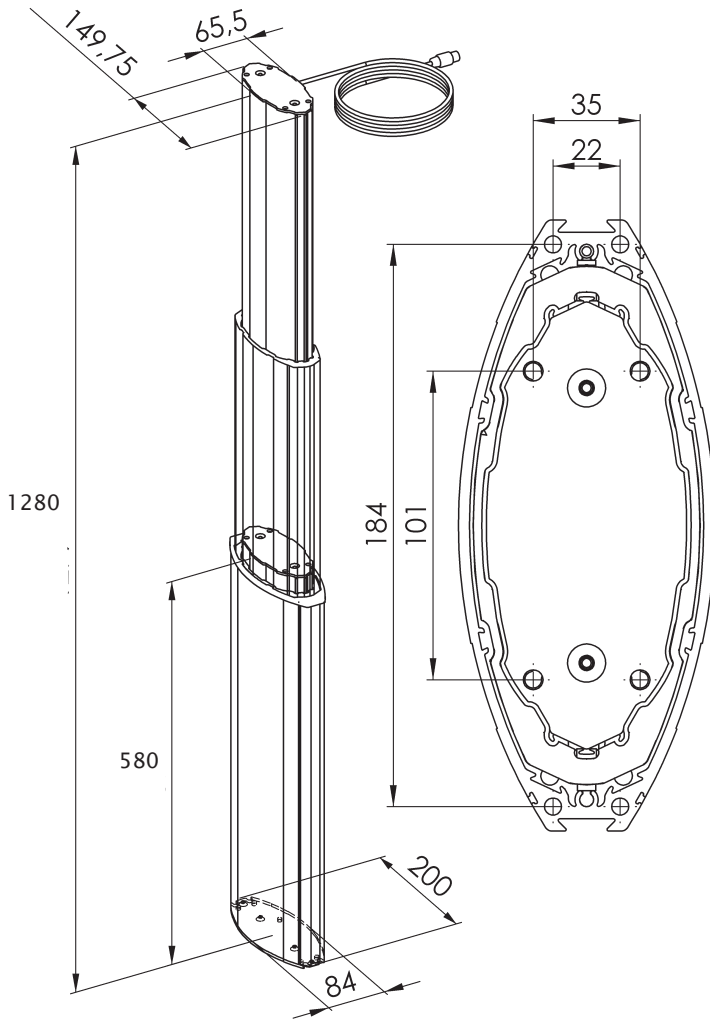


T-180/3 - 580

Larger section profile, two-stage telescopic pillar of modern design used in many lifting applications. Internal DC actuator drive for lift forces to 800 N and linear speeds to 45 mm/sec. This pillar is especially suited to sitting/standing desk and other applications with extra long stroke.

T 180/3 Telescopic Pillar 580 - 1280

Art.-Nr.: 19.4.000.00



Telescopic Pillar T-180/3-580 anodised aluminium

Art.Nr.:	T 180/3-580-1280
Max. thrust force:	800 N
Max. turning moment:	200 Nm in static, vertical (100 Nm Dynamic)
Maximum linear speed:	45 mm/s without load
Drive:	Internal 24 V DC actuator with integral limit switches and two Hall sensors
Cable lengths:	ca. 1200 mm, 8-pin connector
Duty rating:	10% (S3) intermittent operation and max. load (1 Min. on /9 Min. off)
Installation geometry	Preferably pushing
Synchronous operation	1- 4 pillars

Refer to Accessories section for assembly components