

Telescopic Pillar T165 AP-640-1135

Art.-Nr.: 17.3.000.00



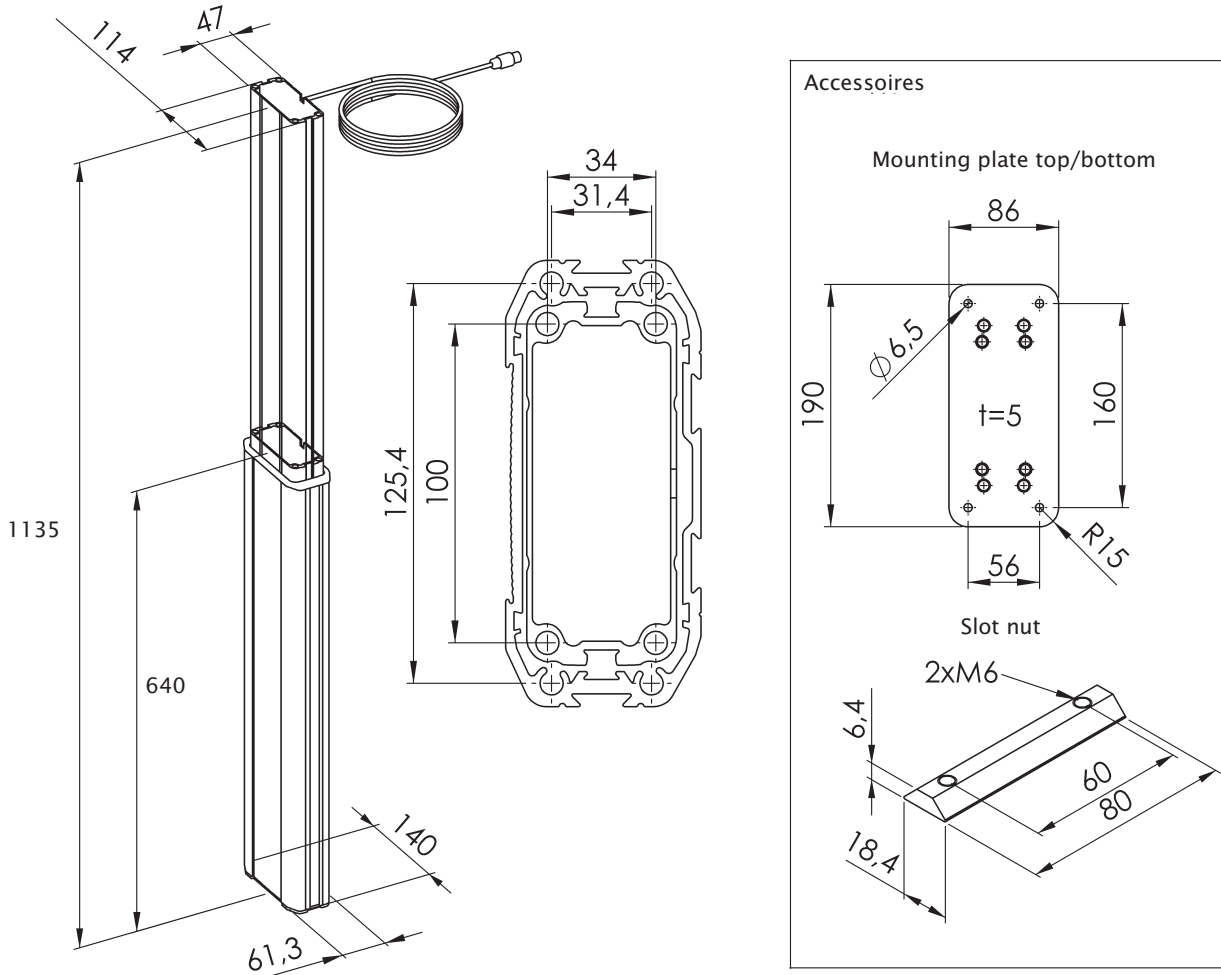
T-165 AP

Slender, attractive single-stage pillar design for many lifting applications. Internal DC actuator drives for lift forces up to 800N and lift speeds to 25mm/sec. This pillar design is frequently used for sitting/standing desk arrangements. Refer to Accessories section for assembly components.

Telescopic Pillar T165 AP-640-1135

Art.-Nr.: 17.3.000.00

T165AP-640-1135
 other lengths / strokes on request



Telescopic Pillar T-165 AP anodised aluminium

Art.Nr.:	T 17.3.000.00
Max. thrust force:	800 N
Max. turning moment:	200 Nm in static, vertical (100 Nm Dynamic)
Linear speed:	25 mm/s at 24V without load
Drive:	Internal DC actuator with integral limit switches and two Hall sensors
Cable lengths:	1200 mm, 8-pin plug connector
Duty rating:	10% (S3) intermittent operation and max. load (1 Min. on / 9 Min. off)
Installation geometry	preferably pushing, ask for others
Synchronous operation	1 - 4 pillars, max. thrust force 4000N/4 pillars

Refer to Accessories section for assembly components