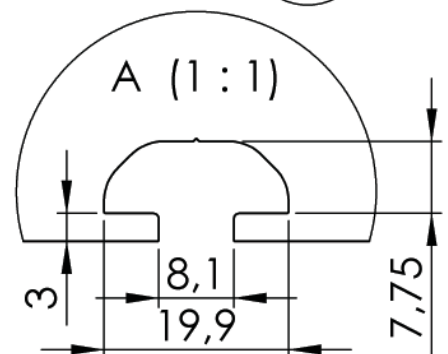
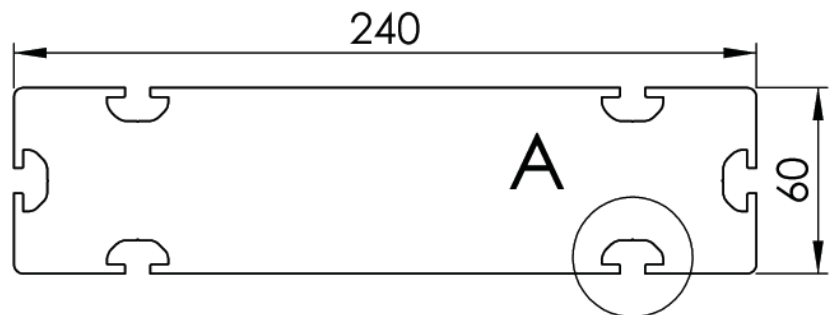


Telescopic Lifter Hexalift

V1: HD240D500680FFF24
 V2: HD240G500680FFF24
 V3: HM240D500680FFF24
 V4: HM240G500680FFF24



Outer profile Hexalift with 6 x slot

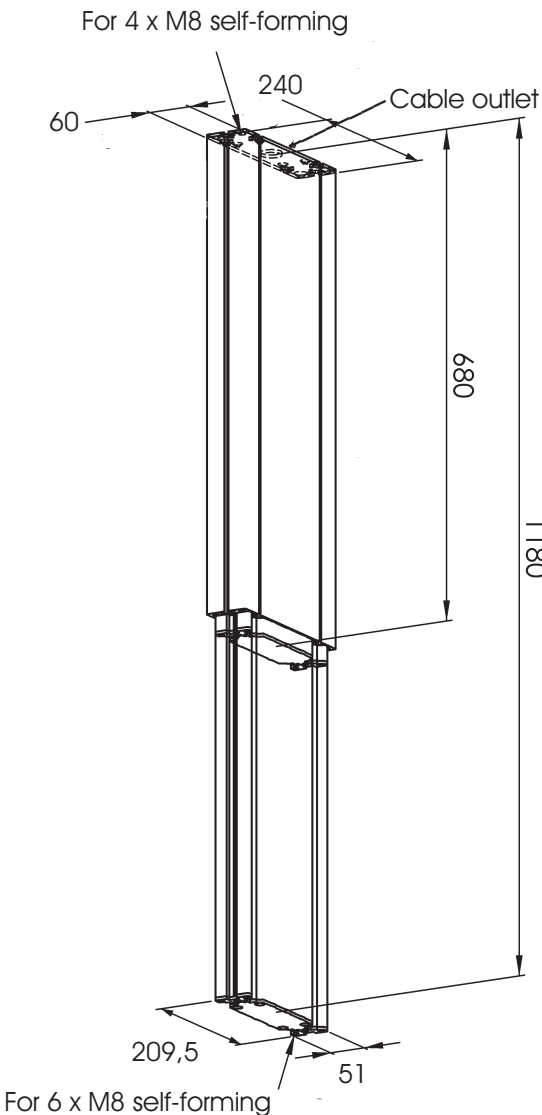


Hexalift

Main characteristic feature of the Hexalift is its compatibility to all common industrial profile systems. The hexalift can be easily adapted or integrated in new constructions or existing structures through its six slot nuts. The integrated DC Motor is another outstanding feature which gives even more freedom in industrial constructions. The Hexalift is available in four different versions.

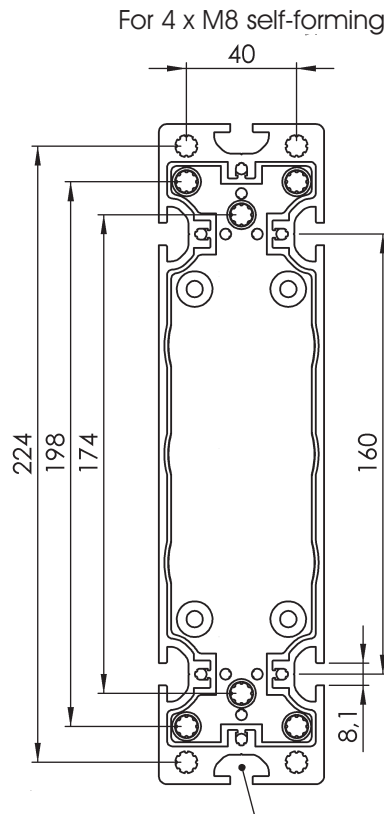
Telescopic Lifter Hexalift

V1: HD240D500680FFF24
 V2: HD240G500680FFF24
 V3: HM240D500680FFF24
 V4: HM240G500680FFF24



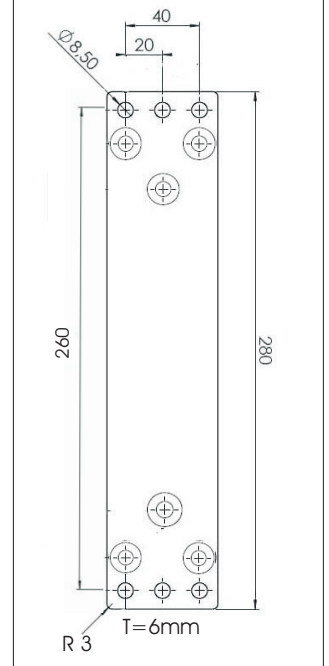
Hexalift two-stage

Other lengths and strokes
 on demand and additional
 cost



For M6 and M8 slotnuts see Accessoires
 Slot depth 7,75mm, Slot width 19,9mm

Accessoires
 Mounting Plate
 for inner and outer
 profile, steel, zinc plated,
 Art Nr. EZ00452



Telescopic Pilar Hexalift anodised aluminium

V1: HD240D500680FFF24 V2: HM240D500680FFF24

Max. thrust force (pushing):	V1: 3200 N, V2: 1600N, V3: 1600N, V4: 800N
Max. turning moment:	1200 Nm lengthwise statical, 500 Nm dynamical 450 Nm transverse direction statical, 255Nm dynamical
Linear Speed at 24 V w/o load:	V1: 9 mm/s, V2: 18mm/s, V3: 9mm/s, V4: 18mm/s
Drive:	internal 24 V DC actuator with integrated limit switches and two hall sensors
Cable:	1200 mm, 8-pin plug connector
Duty rating:	10 % (S3) intermittent operation max. load (2 Min.ON /18 Min.OFF)
Installation geometry:	preferably pushing, others by request
Synchronous operation:	1 - 4 pillars max.
Temperature range:	+10° to +40°
IP:	Use in dry conditions only
Weight:	10,6 kg

Linear speed and stroke tolerances depend on force and voltage

Refer to accessoires section for assembly components