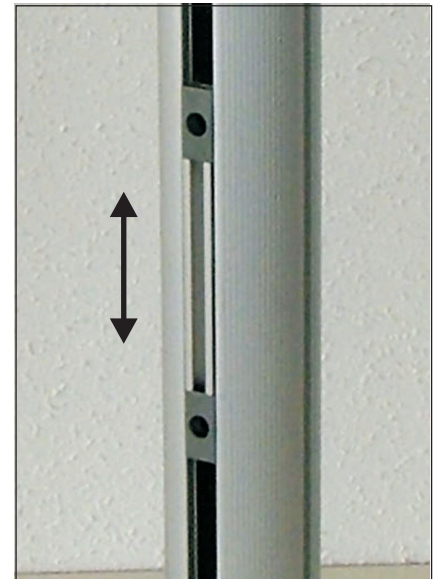
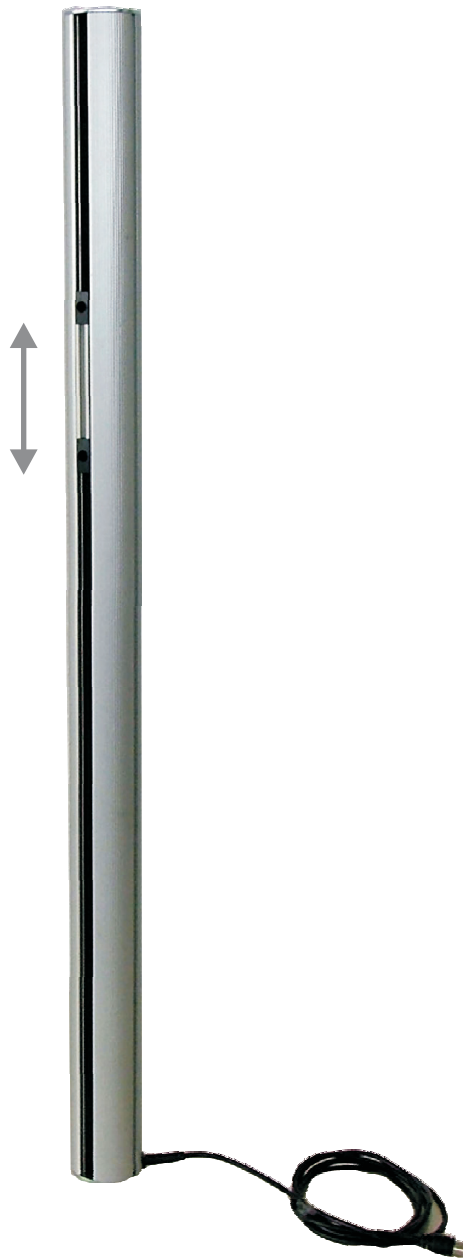


I 67-Koax Slideway Lifter

Art.-Nr.: 28.3.000.00



I-67 RM 42

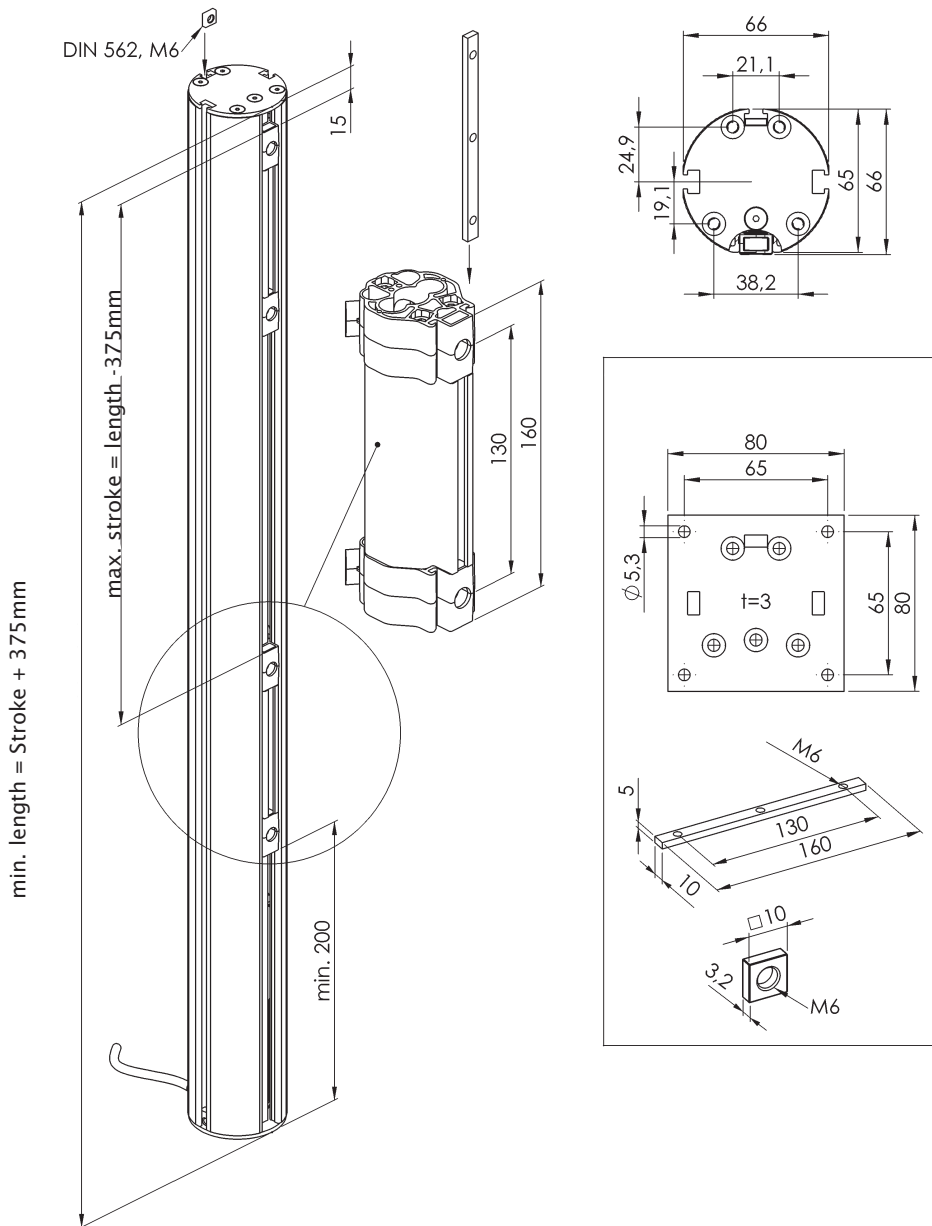
Slideway lifter unit with fully concealed DC actuator drive. Suitable for single or dual lifter geometry, also in combination with telescopic lifters for elevating secondary shelf for VDU units etc.

Rev01-11

I 67-Koax

Slideway Lifter

Art.-Nr.: 28.3.000.00



I 67-Koax

Force [N]	Tr12 x 3	1000
	Tr12 x 6	800
	Tr12 x 12	600
	Tr12 x 16	400
Speed [mm/s]	Tr12 x 3	15
	Tr12 x 6	25
	Tr12 x 12	40
	Tr12 x 16	50

Duty rating	10% (S3)
Insulation class	E
Enclosure rating	IP 42
Cable connection	2,6 m; 8-pin plug
Voltage [V]	12.....36
Current [A]	1,5.....8
Motor rating [W]	30.....80
Maximum power [W]	< 200
Gear ratio	1:39,7
Pulse Transmitter	Encoder: 2 pulse / rotor revolution
Limit switches	2 x integrated