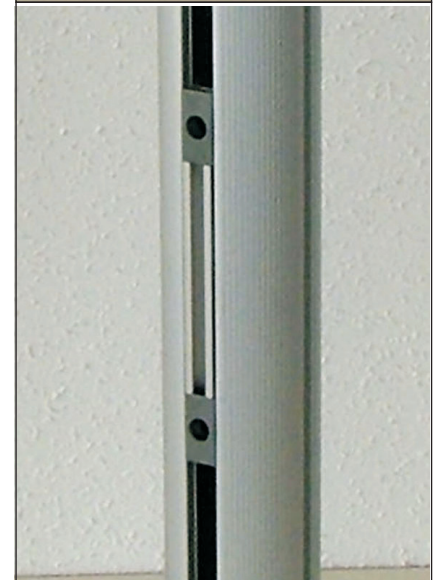
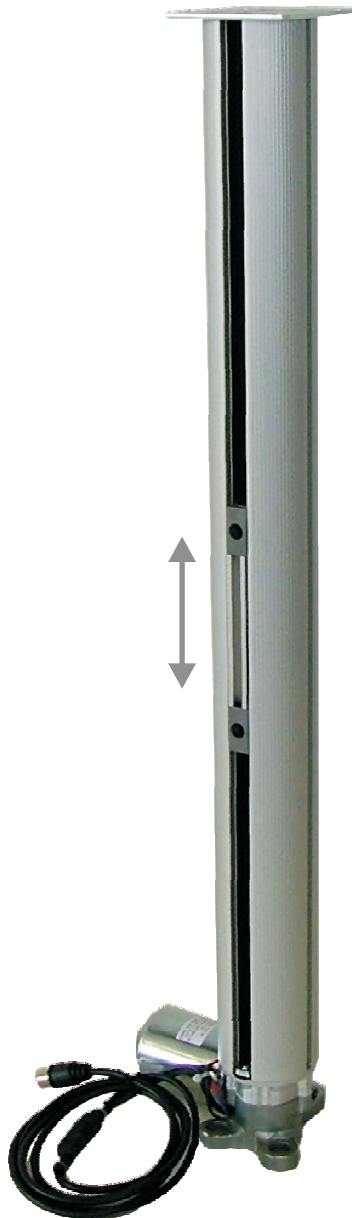


I 67-DrHm

Slideway Lifter

Art.-Nr.: 28.4.000.00



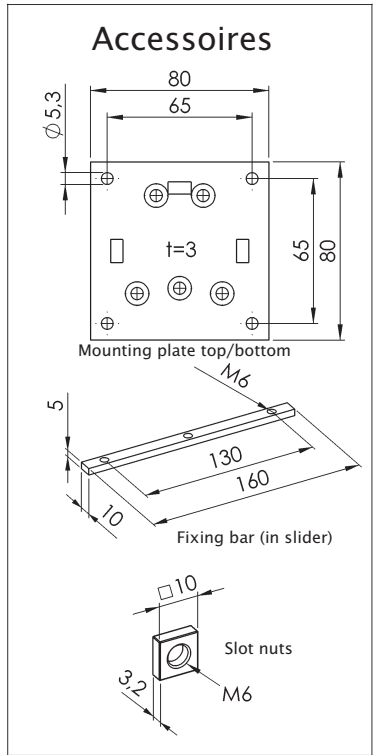
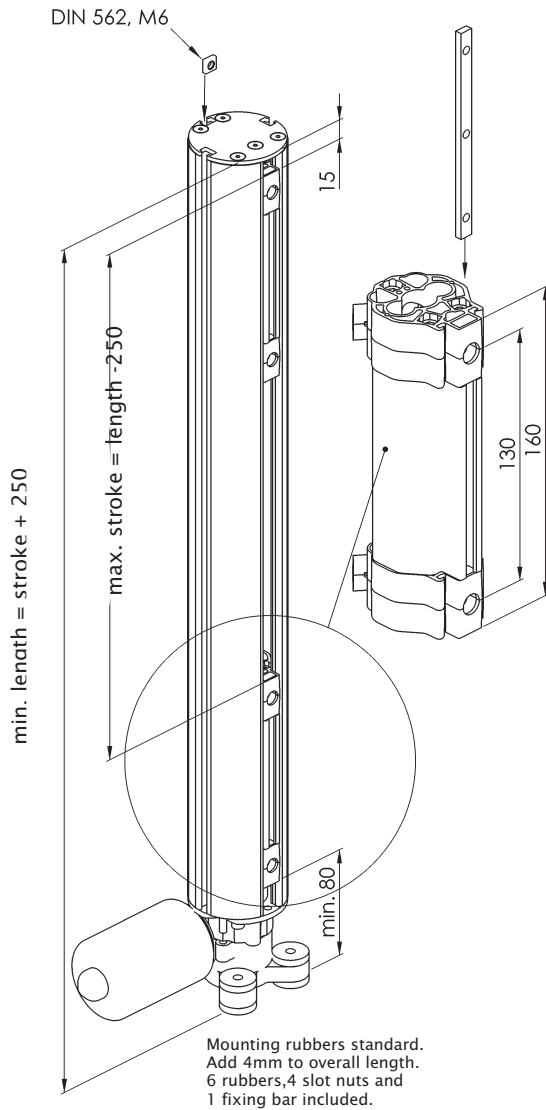
I-67 DrHm

Slideway lifter unit with base mounted DC gear motor drive. The gear motor is available in several gear ratios and screw pitch variants. The gear motor drive is especially quiet running due to the solid cast housing and anti-vibration mounting.

I 67-DrHm

Slideway Lifter

Art.-Nr.: 28.4.000.00



Force [N]	Tr12 x 3	1000
	Tr12 x 6	800
	Tr12 x 12	600
	Tr12 x 16	400
Speed [mm/s]	Tr12 x 3	10
	Tr12 x 6	15
	Tr12 x 12	25
	Tr12 x 16	30

I 67 - Dr - Hm / D

Duty rating	10% (S3)
Insulation class	E
Enclosure rating	IP32
Cable connection	2,6 m; 8-pin plug
Voltage [V]	24.....36
Current [A]	1,5.....5,0
Motor rating [W]	20.....60
Maximum power [W]	100.....150
Gear ratio	1 : 35
Pulse Transmitter	Infineon 4935L; 1 pulse per rotor revolution (optional)
Limit switches	2 x integrated