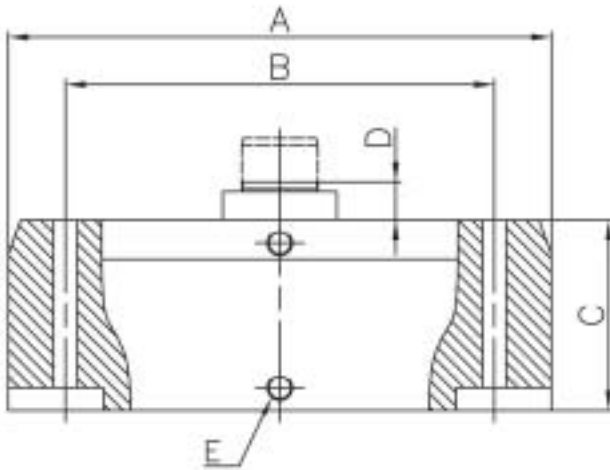


# Compact Cylinder

## Product Facts:

Diameter of piston: to 320 mm (further on request)  
 Stroke: 5 - 90 mm  
 Function: single or double acting  
 max operating pressure: 6 Bar  
 Others on request

	Piston diameter	Diameter of piston rod	Stroke	single/ double acting
<b>KPZ -</b>	<b>250 -</b>		<b>50</b>	<b>E</b>
	<b>200</b> = Ø 200	Ø 40	5 - 90	E = single / D = double
	<b>250</b> = Ø 250	Ø 40	5 - 90	E = single / D = double
	<b>300</b> = Ø 300	Ø 40	5 - 90	E = single / D = double
	<b>350</b> = Ø 350	Ø 40	5 - 90	E = single / D = double



## Dimensions:

Ø	A	B	C	D	E
<b>200</b>	215		stroke + 77	20	G1/4
<b>250</b>	265		stroke + 77	20	G1/4
<b>270</b>	285		stroke + 77	20	G1/4
<b>320</b>	335		stroke + 77	20	G1/4

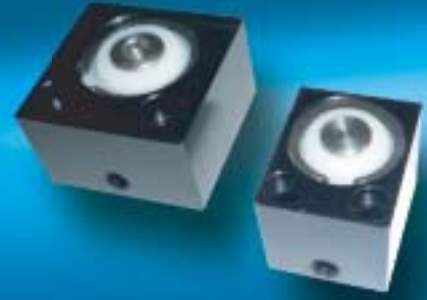
The flyer is subject to technical alterations and printing mistakes.

## Bansbach easylift of North America

50 West Drive  
Melbourne  
Florida 32904

Tel. (321) 253-1999  
Fax (321) 253-5546

sales@easylift.com  
www.bansbach.com



# Short stroke cylinder

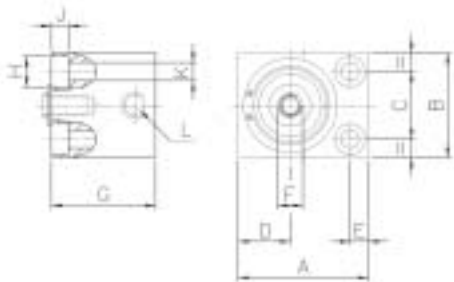
## Product facts:

Diameter of piston: 12, 16, 20, 32, 50 mm  
 Stroke: 0,5 - 10 mm (further on request)  
 Function: single acting (double acting on request)  
 max. operating pressure: 1 - 8 Bar  
 Others on request

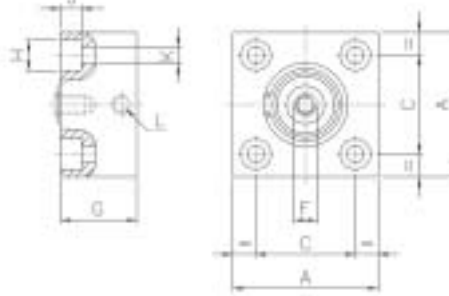
	Connecting part	Diameter of piston	Diameter of piston rod	Stroke
<b>KHZ -</b>	<b>A -</b>	<b>20 -</b>		<b>3</b>
	<b>A</b> = male thread	<b>12</b> = Ø 12	Ø 6	0,5 - 4
	<b>B</b> = female thread	<b>16</b> = Ø 16	Ø 8	0,5 - 4
	<b>C</b> = stud	<b>20</b> = Ø 20	Ø 10	0,5 - 4
		<b>32</b> = Ø 32	Ø 12	0,5 - 5
		<b>50</b> = Ø 50	Ø 12	0,5 - 10

## Dimensions:

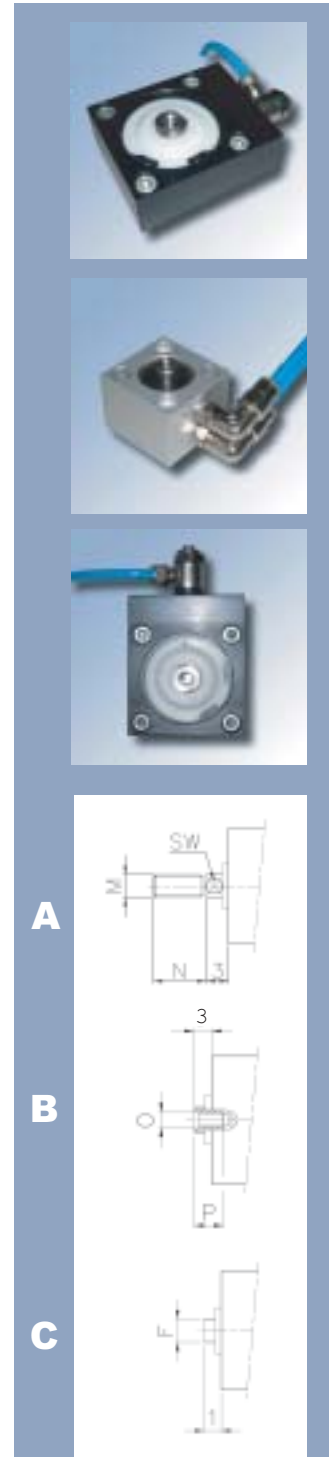
Ø 12-25



Ø 32-50



Ø	A	B	C	D	E	F	G	H	J	K	L	M	N	O	SW	P
<b>12</b>	25	20	13	9	3,2	5	16	5,9	3,5	3,4	M5	M5	8	M3	-	6
<b>16</b>	25	20	13	10	3,5	8	20	6	3,4	3,5	M5	M6	12	M4	7	8
<b>20</b>	32	32	20	13	6	10	20	8	5,6	4,5	M5	M8	12	M5	9	11
<b>32</b>	50	50	32	16,8	9	12	26	9,4	5,5	5,5	G1/8	M10x1,25	14	M6	10	12
<b>50</b>	80	65	50	32,5	23	16	30	11	7	6,5	G1/4	M12x1,25	16	M8	13	16



The flyer is subject to technical alterations and printing mistakes.

## Bansbach easylift of North America

50 West Drive  
Melbourne  
Florida 32904

Tel. (321) 253-1999  
Fax (321) 253-5546

sales@easylift.com  
www.bansbach.com



# Clamping Cylinder

## Product Facts:

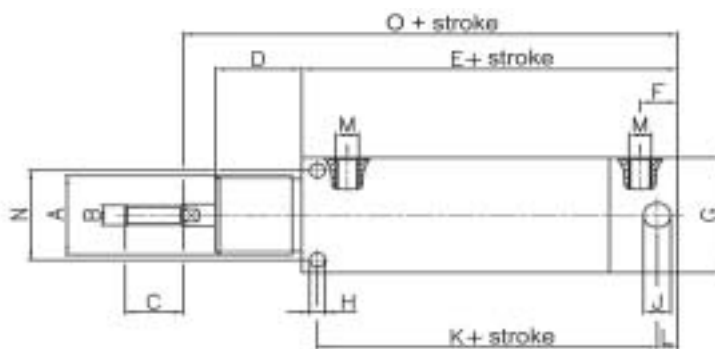
Diameter of piston: 20, 30, 40 mm  
 Stroke: 10, 20, 30, 50, 75, 100, 125, 150 mm (further on request)  
 Function: double acting (SZD) or single acting (SZE return spring)  
 Damping: end of stroke damping  
 Operating pressure: 0,2 - 10 Bar  
 Others on request



	Piston diameter	Diameter of piston rod	Stroke	Magnet	End of stroke damping
<b>SZD -</b>	<b>30 -</b>		<b>100 -</b>	<b>-</b>	<b>E</b>
<b>SZD</b> double acting	<b>20</b> = Ø 20 <b>30</b> = Ø 30 <b>40</b> = Ø 40	Ø 10 Ø 12 Ø 12	10 20 30 50 75 100 125 150	- = without magnet / <b>M</b> = with magnet*	<b>E</b> = end of stroke damping
<b>SZE</b> single acting					

\* by choosing a magnet the extended length will increase approx. 10mm

## Diameter:



Ø	A	B	C	D	E	F	G	H	J	K	L	M	N	O
<b>20</b>	M26x1,5	M8	14	20	49,5	14,5	30		6H11	-	5,5	G1/8	-	69,5
<b>30</b>	M36x2	M10	20	24	60	15,5	40		8H11	47	6,5	G1/8	28	83,5
<b>40</b>	M36x2	M10	20	30	66,5	18,5	50		10H11	52	8	G1/8	38	96,5



The flyer is subject to technical alterations and printing mistakes.

## Bansbach easylift of North America

50 West Drive  
Melbourne  
Florida 32904

Tel. (321) 253-1999  
Fax (321) 253-5546

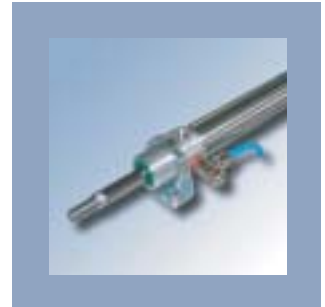
sales@easylift.com  
www.bansbach.com



# Round Cylinder

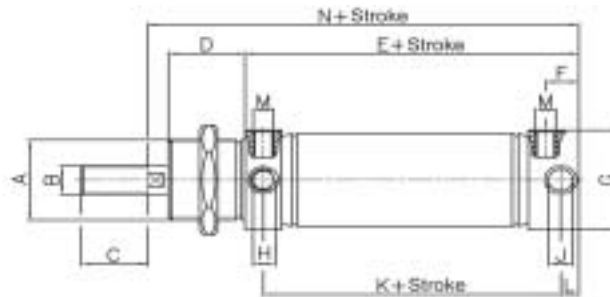
## Product Facts:

Diameter of piston: 32 - 100 mm  
 Piston rod: 12 - 20  
 Stroke: 20 - 600 mm  
 Function: double acting (or return spring as an option)  
 Damping: end of stroke damping  
 max. operating pressure: 6 - 10 Bar  
 Others on request



	Diameter of piston	Diameter of piston rod	stroke	Magnet	End of stroke damping
<b>RZ -</b>	<b>63 -</b>		<b>100 -</b>	<b>-</b>	<b>E</b>
	<b>32</b> = Ø 32	Ø 12	20 - 200	- = without magnet	- = without
	<b>40</b> = Ø 40	Ø 12	20 - 200	- = without magnet	- = without
	<b>50</b> = Ø 50	Ø 16	20 - 400	- = without magnet	- = without / <b>E</b> = with
	<b>63</b> = Ø 63	Ø 16	20 - 600	- = without magnet	- = without / <b>E</b> = with
	<b>80</b> = Ø 80	Ø 20	20 - 600	- = without magnet	- = without / <b>E</b> = with
	<b>100</b> = Ø 100	Ø 20	20 - 500	- = without magnet / <b>M</b> = with magnet	- = without / <b>E</b> = with

## Dimensions:



Ø	A	B	C	D	E	F	G	H	J	K	L	M	N
<b>32</b>	M30x1,5	M10	20	30	86	16,5	36	M8x1	8	69	8	G 1/8	124
<b>40</b>	M38x1,5	M12	24	35	89	16,5	44	M10x1,25	10	71	9	G 1/8	134
<b>50</b>	M45x1,5	M16	32	38	89	16,5	54	M12x1,5	12	71	9	G 1/8	139
<b>63</b>	M45x1,5	M16	32	38	95	10	69	M12x1,5	12	76	10	G 1/8	146
<b>80</b>	M45x1,5	M20x1,5	40	38	105	13	88	M16x1,5	16	81	13	G 1/4	159
<b>100</b>	M55x1,5	M20x1,5	40	38	114	14,5	109	M16x1,5	16	90	15	G1/4	170

## Options

Adjustable end position



Rack and pinion



further on request

The flyer is subject to technical alterations and printing mistakes.

## Bansbach easylift of North America

50 West Drive  
 Melbourne  
 Florida 32904

Tel. (321) 253-1999  
 Fax (321) 253-5546

sales@easylift.com  
 www.bansbach.com



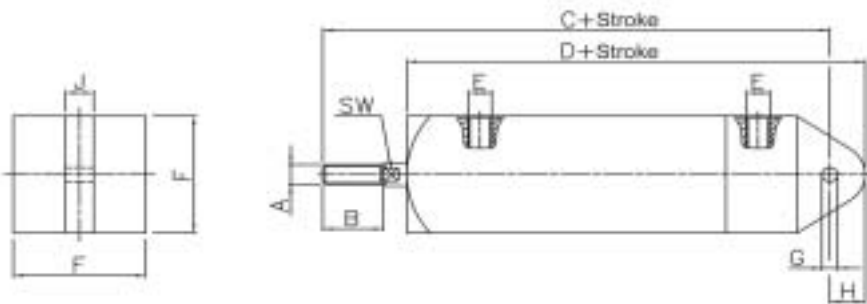
# Mini Cylinder

## Product Facts:

Diameter of piston: 10 - 25 mm  
 Piston rod: 5 - 10  
 Stroke: 10 - 75 mm  
 Function: double acting (single acting on request)  
 Damping: end of stroke damping  
 max. operating pressure: 6 - 10 Bar  
*Others on request*

	Piston diameter	Diameter of piston rod	Stroke	End of stroke damping
<b>MZ -</b>	<b>25 -</b>		<b>100 -</b>	<b>E</b>
	<b>10</b> = Ø 10 <b>16</b> = Ø 16 <b>25</b> = Ø 25	Ø 5 Ø 6 Ø 10	10 - 50 10 - 60 10 - 75	<b>E</b> = with <b>E</b> = with <b>E</b> = with

## Dimensions:



Ø	A	B	C	D	E	F	G	H	J	SW
<b>10</b>	M4x0,7	8	58	50,5	M5	20	4,1	4,6	8,3	4
<b>16</b>	M6x1	12	69	58	M5	25	5,1	6	10	5
<b>25</b>	M10x1,5	20	64	47,5	G1/8	35	6	9	6,1	8



The flyer is subject to technical alterations and printing mistakes.

### Bansbach easylift of North America

50 West Drive  
 Melbourne  
 Florida 32904

Tel. (321) 253-1999  
 Fax (321) 253-5546

sales@easylift.com  
 www.bansbach.com

## Bansbach Feinmechanik AG Swiss

Bansbach Feinmechanik AG Swiss has been developing and producing high quality special pneumatic cylinders and pneumatic accessories in Switzerland for many years. We have specialized in customized products which are made exactly to the customer's specifications.

Our experts evaluate your application and develop a product specific to your needs. This maximizes the efficiency of your application while optimizing a cost effective solution. Please contact us!

In January of 2007, A. Schmied Feinmechanik AG became a wholly owned subsidiary of Bansbach easylift GmbH

### Product overview

#### ■ **Special pneumatic cylinders:**

Custom products are designed, developed and manufactured according to the customer's request. That means we can help you with any application. Any project, any time!

- pneumatic linear unit
- rack and pinion drive
- cylinder with medium transport
- cylinder with guided piston rod
- compact cylinder
- mountable round cylinder

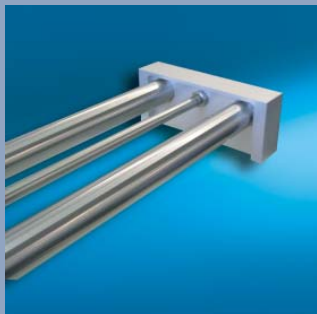
#### ■ **Pneumatic accessories:**

Besides pneumatic cylinders, pneumatic accessories such as valve plates or foot pedals are also manufactured. Here too, Bansbach develops and manufactures according to customer's request.

#### ■ **Job order production:**

Milling and turning of different kinds of metals are offered. The development either takes place at the customer or Bansbach takes it over. Thus, services such as construction and development are offered, too.

**Further information: [www.bansbach.com](http://www.bansbach.com)**



## ■ Rack and pinion drive

With this hydraulic cylinder, a stroke movement can be converted into a rotation. The cylinder operates in both directions.

### Product characteristics:

- diameter of the rack: 16 - 20 mm
- cylinder diameter: 63 - 100 mm
- function: double operating
- stroke length: up to 200 mm

Further specifications are available



## ■ Medium transport through the piston rod

A medium (e.g. air, oil,...) can be transported through this pneumatic cylinder. This cylinder is therefore not only suitable for the adjustment of an application but also e.g. for the fixation of an object by creating a vacuum at the end of the cylinder.

### Product characteristics:

- piston rod diameter: 25 mm
- cylinder diameter: 40 mm
- function: double operating
- stroke length: up to 150 mm
- force at 6 bar: 75N

Further specifications are available



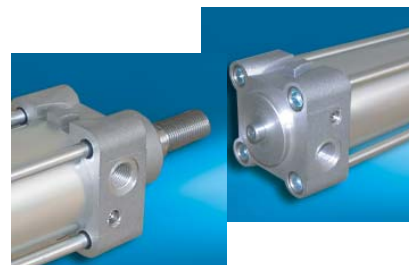
## ■ Pneumatic cylinder with guided piston rod

The piston rod of this cylinder makes a controlled turn movement during the push-in and push-out movement. This is due to the guided piston rod. The extent of the turn movement can be specified according to the customer's application. In specific applications you may request the piston rod be secured against rotation.

### Product characteristics:

- piston rod diameter: 25 mm
- cylinder diameter: 40 mm
- function: double operating
- stroke length: up to 850 mm
- force at 6 bar: 110 kg

Further specifications are available



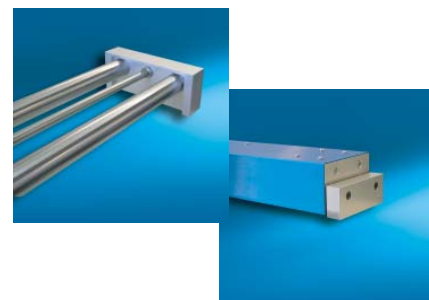
## ■ Pneumatic linear unit

With this pneumatic linear unit, considerable loads can be moved very quickly. Due to the special guiding, transverse forces up to 600 N are no problem. The very short end damping allows a controlled movement of the load. The cylinder becomes a very efficient height adjustment, which can be used in many fields.

### Product characteristics:

- piston rod diameter: 40 mm
- speed: up to 1 m/sec
- function: double operating with end damping
- stroke: up to 300 mm
- transverse force: up to 600N
- stroke force: up to 560N
- temperature range: -20 °C - +80 °C

Further specifications are available



The flyer is subject to technical alterations and printing mistakes.

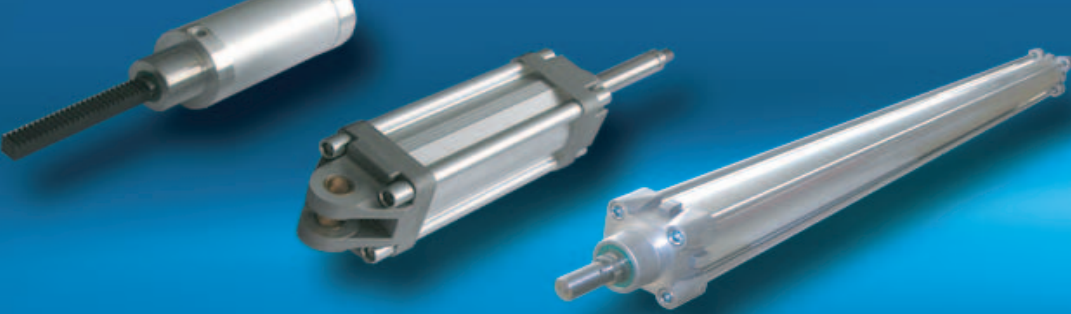
### Bansbach easylift of North America

50 West Drive  
Melbourne  
Florida 32904

Tel. (321) 253-1999  
Fax (321) 253-5546

sales@easylift.com  
www.bansbach.com

**Bansbach**  
easylift  
of North America



## Enquiry Bansbach Special Pneumatic Cylinder

Date \_\_\_\_\_

Company \_\_\_\_\_ Contact Person \_\_\_\_\_

Street \_\_\_\_\_ Department \_\_\_\_\_

ZIP/City \_\_\_\_\_ Phone/Fax \_\_\_\_\_

Country \_\_\_\_\_ E-Mail \_\_\_\_\_

■ **Application** \_\_\_\_\_

■ **Size/type** diameter \_\_\_\_\_ mm storke \_\_\_\_\_ mm

■ **Function**  single-acting  double-acting  
 damping  magnet  locking  brake

■ **Medium**  compressed air  oiled  others  
pressure range (bar) min \_\_\_\_\_ max \_\_\_\_\_  
temperature range (°C) min \_\_\_\_\_ max \_\_\_\_\_

■ **Others** surrounding temperature \_\_\_\_\_  
surrounding temperature \_\_\_\_\_  
PN connectors \_\_\_\_\_  
force (N) \_\_\_\_\_  
installation position \_\_\_\_\_  
attachments \_\_\_\_\_  
lifetime \_\_\_\_\_  
speed \_\_\_\_\_  
required quantity (Stck.) total \_\_\_\_\_ batch \_\_\_\_\_  
price range \_\_\_\_\_  
material \_\_\_\_\_

■ **Dates** first delivery required by \_\_\_\_\_

■ **Notes** \_\_\_\_\_  
\_\_\_\_\_

■  Sketch see backside



**Sketch**

